

Roman numerals

1 Match the numbers to the Roman numerals.

1
5
10
50
100

L
C
V
X
I

2 Write each number in Roman numerals.

a) 7 d) 55 g) 17

b) 12 e) 72 h) 41

c) 23 f) 89 i) 27

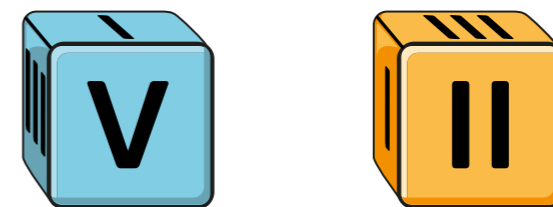
3 Eva lives in this house.



What number does Eva live at?

Eva lives at number

4 Jack rolls 2 6-sided dice.



What is Jack's total score?

Alex rolls the same 2 dice and gets two different numbers.

Her score is the same as Jack's.

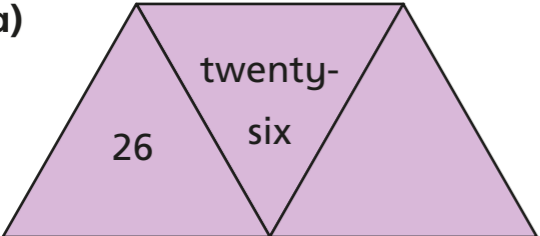
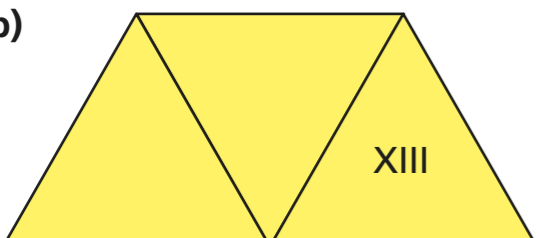
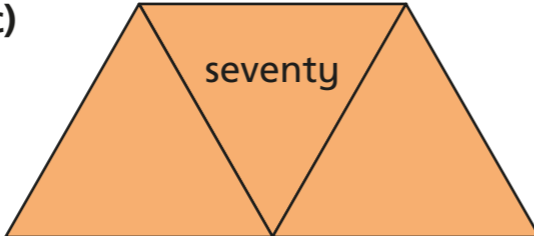
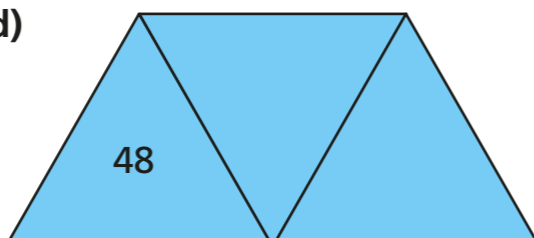
What numbers could Alex have rolled?

and

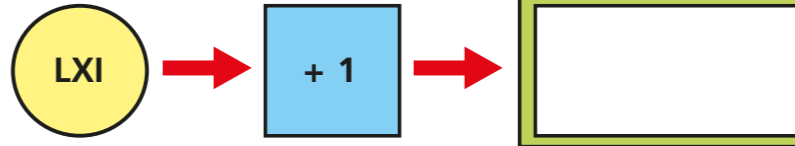
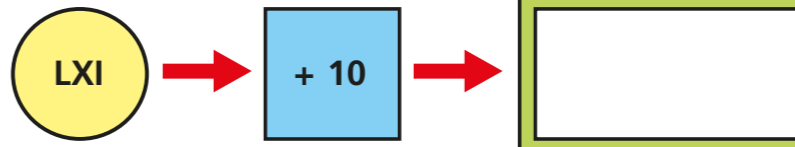
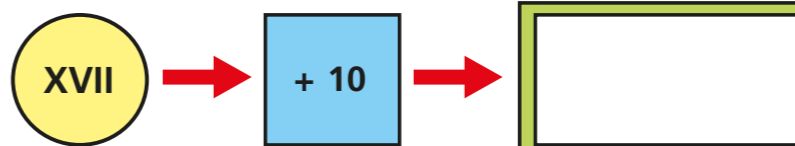
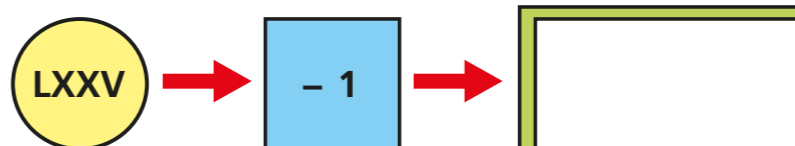
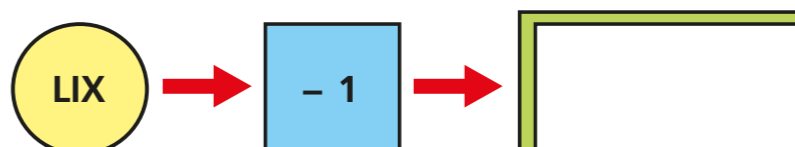
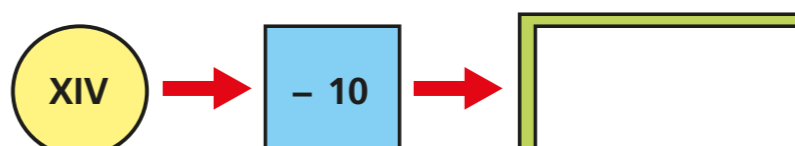
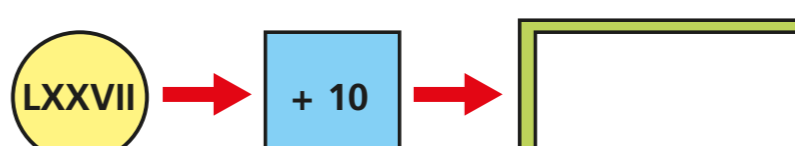
5 Write the Roman numeral in numerals and words.

- a) XXIV _____
- b) LXXI _____
- c) LXVIII _____
- d) XCVI _____
- e) XXVIII _____
- f) XCI _____

6 Each diagram should show a number in numerals, words and Roman numerals. Complete the diagrams.

- a) 
- b) 
- c) 
- d) 

7 Complete the function machines.

- a) 
- b) 
- c) 
- d) 
- e) 
- f) 
- g) 

8 Complete the calculation.

$$XXIX + \boxed{} = LXI + \boxed{}$$

How many other calculations can you write that give the same total?

Compare your answers with a partner.

